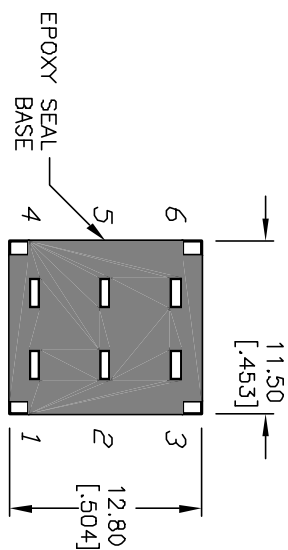
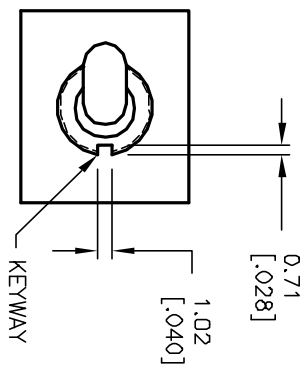


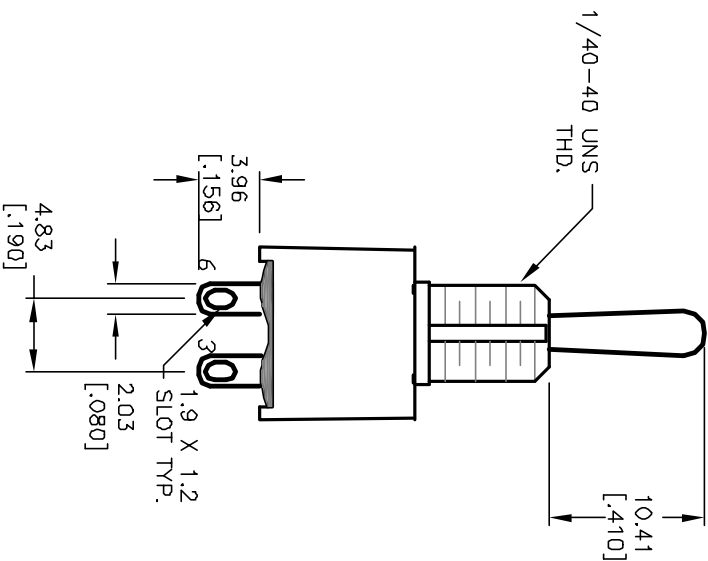
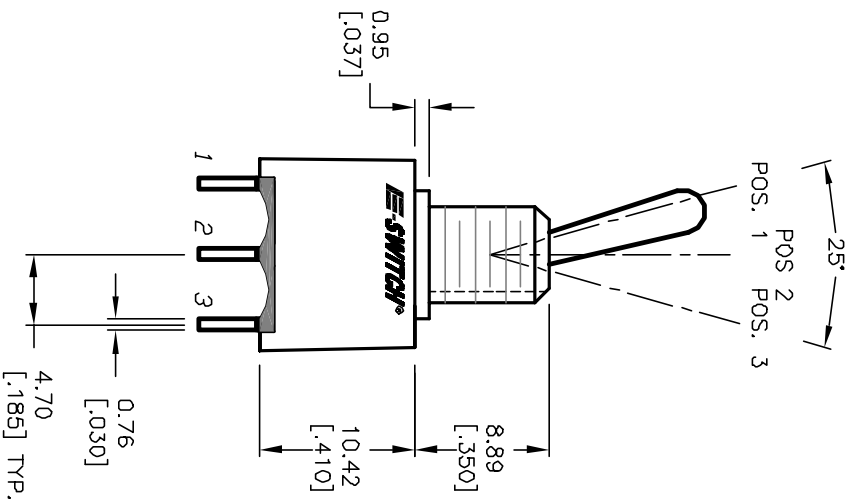
SWITCH FUNCTION		
POS. 1	POS. 2	POS. 3
(DN)	(DN)	(DN)
(DN)	OFF	(DN)
2-3,5-6	OPEN	2-1,5-4

NOTES: < > =Momentary

1. ALL DIMENSIONS IN MM [INCH]
2. GENERAL TOLERANCE: X.X=±0.4
X.XX=±0.25
3. TERMINAL NUMBERS FOR REF ONLY
4. RATING: 0.4VA @20V AC or DC max.
5. FIXED TERM. & MOVING CONTACT:
Copper Alloy w/Gold plate over
Nickel plate.
6. ELECTRIC LIFE: 40,000 make-and-break cycles
at full load.
7. INSULATION RESISTANCE: 1,000 Mega-ohm min.
8. DIELECTRIC STRENGTH: 1,000 V RMS @sea level.
9. OPERATING TEMP.: -30°C to 85°C



BOTTOM VIEW



E-SWITCH®

REV. A	12437	RELEASED	9/20/02	CB
REV. ECN No.		DESCRIPTION	DATE	CHKD

TITLE	SCALE	DATE	DR	DWG	REV
100A WDP4 T1 B1 M1 R E (GOLD CONTACTS)	2:1	9/20/02	CB	T102283	A

THE INFORMATION CONTAINED IN THIS DOCUMENT IS PRELIMINARY. E-SWITCH AND IS NOT TO BE COPIED OR TRANSMITTED.